



VWR Signature™ Pipettor Variable Volume with and without Ejector Spare Parts Price List

January 2005

Item	Catalog No	Description	Pipette Type	
1	SP19315	Pushbutton	VE/V2	
	SP19316	Pushbutton	VE/V10	
	SP19317	Pushbutton	VE/V20	
	SP19318	Pushbutton	VE/V50	
	SP19319	Pushbutton	VE/V100	
	SP19320	Pushbutton	VE/V200	
	SP19321	Pushbutton	VE/V250	
	SP19322	Pushbutton	VE/V1000	
	SP19323	Pushbutton	VE/V5000	
	SP19379	Pushbutton	VE/V10000	
1A	SP19325	Pushbutton bottom	VE/V	
2	SP19326	Upper arbor	VE/V	
3	SP003	Calibration knob	VE/V	
3a	SP9384	Calibration screw	VE/V	
5	SP003-E	Lower Set Screw	VE/V	
6a	SP9385	O-ring	VE/V	
7	SP19404	Shaft nut	VE/V2-1000	
8	SP005-2	Piston assembly	VE/V2	
	SP005-10	Piston assembly	VE/V10	
	SP005-20	Piston assembly	VE/V20	
	SP005-100	Piston assembly	VE/V50, VE/V100	
	SP9354	Piston assembly	VE/V200, VE/V250	
	SP005-1000	Piston assembly	VE/V1000	
	SP005-5000	Piston assembly	VE/V5000	
SP-19463	Piston assembly	VE/V10000		
9	SP005A-100	Upper Spring	VE/V2, VE/V10,VE/V20, VE/V50, VE/V100	
10	SP005A-200	Upper Spring	VE/V200, VE/V250	
11	SP005D	Stopper bush	VE/V2, VE/V10, VE/V20, VE/V50 VE/V100, VE/V200 , VE/V250	
13	SP005B	Bush	VE/V2, VE/V10, VE/V20, VE/V50 VE/V100, VE/V200, VE/V250	
14	SP011-2	Compression bushing	VE/V2	
	SP011-10	Compression bushing	VE/V10	
	SP011-20	Compression bushing	VE/V20	
	SP011-100	Compression bushing	VE/V50, VE/V100	
	SP011-200	Compression bushing	VE/V200, VE/V250	
	SP011-1000	Compression bushing	VE/V1000	
	SP9256	Compression bushing	VE/V5000	
	SP19464	Compression bushing	VE/V10000	

15	SP006-2 SP006-10 SP006-20 SP006-100 SP006-200 SP006-1000 SP006-5000 SP19465	Teflon seal Teflon seal Teflon seal Teflon seal Teflon seal Teflon seal Teflon seal Teflon seal	VE/V2 VE/V10 VE/V20 VE/V50, VE/V100 VE/V200, VE/V250 VE/V1000 VE/V5000 VE/V10000	
16	SP007-2 SP007-10 SP007-100 SP007-200 SP007-1000 SP007-5000 SP-19002	O-ring 0.74x1.02 O-ring O-ring O-ring O-ring O-ring O-ring	VE/V2 VE/V10,VE/V20 VE/V50, VE/V100 VE/V200, VE/V250 VE/V1000 VE/V5000 VE/V10000	
17	SP19328 SP19329 SP19331 SP19332 SP19375 SP19452 SP19453 SP29312	Tip ejector Tip ejector Tip ejector Tip ejector Tip ejector Tip ejector Tip ejector Tip ejector	VE2, VE10 VE20, VE50, VE100 VE200, VE250 VE1000 VE250 VE5000 VE10000 VE20	
18 19	SP19478 SP9691 SP9689 SP19333 SP9690 SP19334 SP19335 SP9692	Shaft Shaft Shaft Shaft Shaft Shaft Shaft Shaft	VE/V10000 VE/V2 VE/V10 VE/V20 VE/V50, VE/V100 VE/V200,VE/V250 VE/V1000 VE/V5000	
20	SP003-A	X-ring	VE/V	
21	SP012	Spacers set.	VE/V2-1000	
22	SP19336	Ejector button	VE	
25	SP9438 SP19402	Ejector arbor Ejector arbor	VE2-1000 VE5000	
25a	SP9397	Ring 3z	VE	
26	SM9479	Calibration key	VE/V	
27	SP9398	Washer ϕ 3.2	VE	
28	SP9663	Rubber bush	VE	
29	SM9636	Ejector spring	VE	
30	SP19306	Ring 2.3z	VE	
31	SP19454	Filter	VE5000	
32	SP19466	Ejector Cap	VE5000	

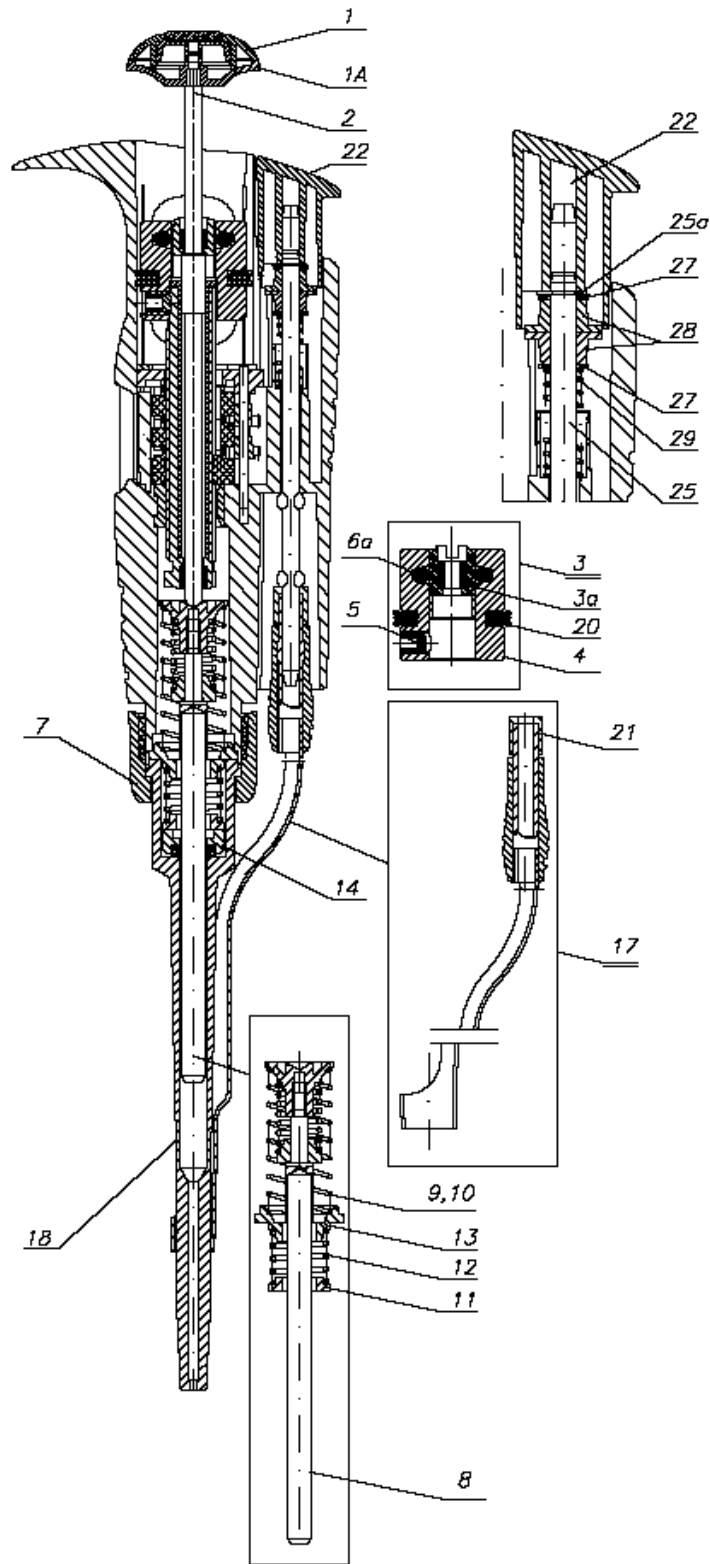
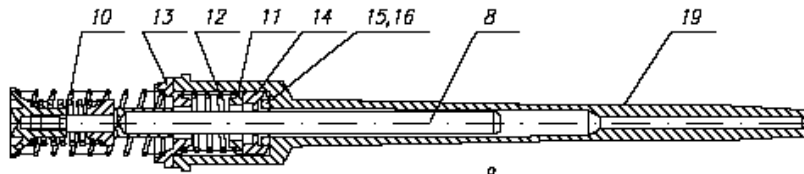
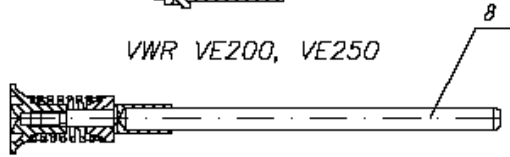


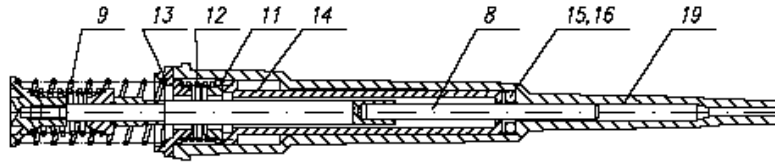
Fig.1 VWR VE2 – VWR VE250



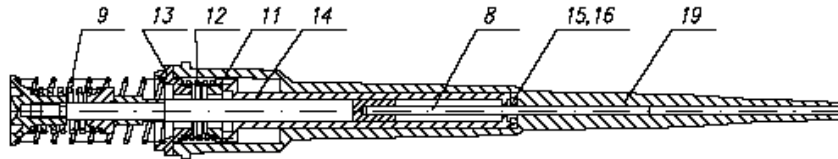
VWR VE200, VE250



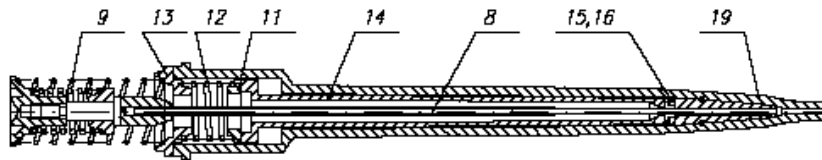
VWR VE200, VE250



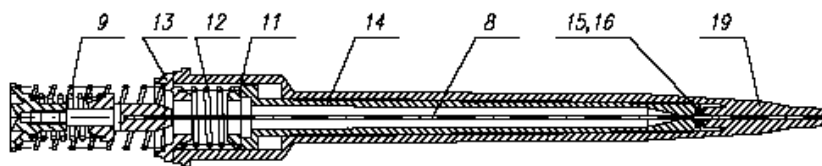
VWR VE50, VE100



VWR VE20



VWR VE10



VWR VE2

Fig.2 VWR VE2 – VE250

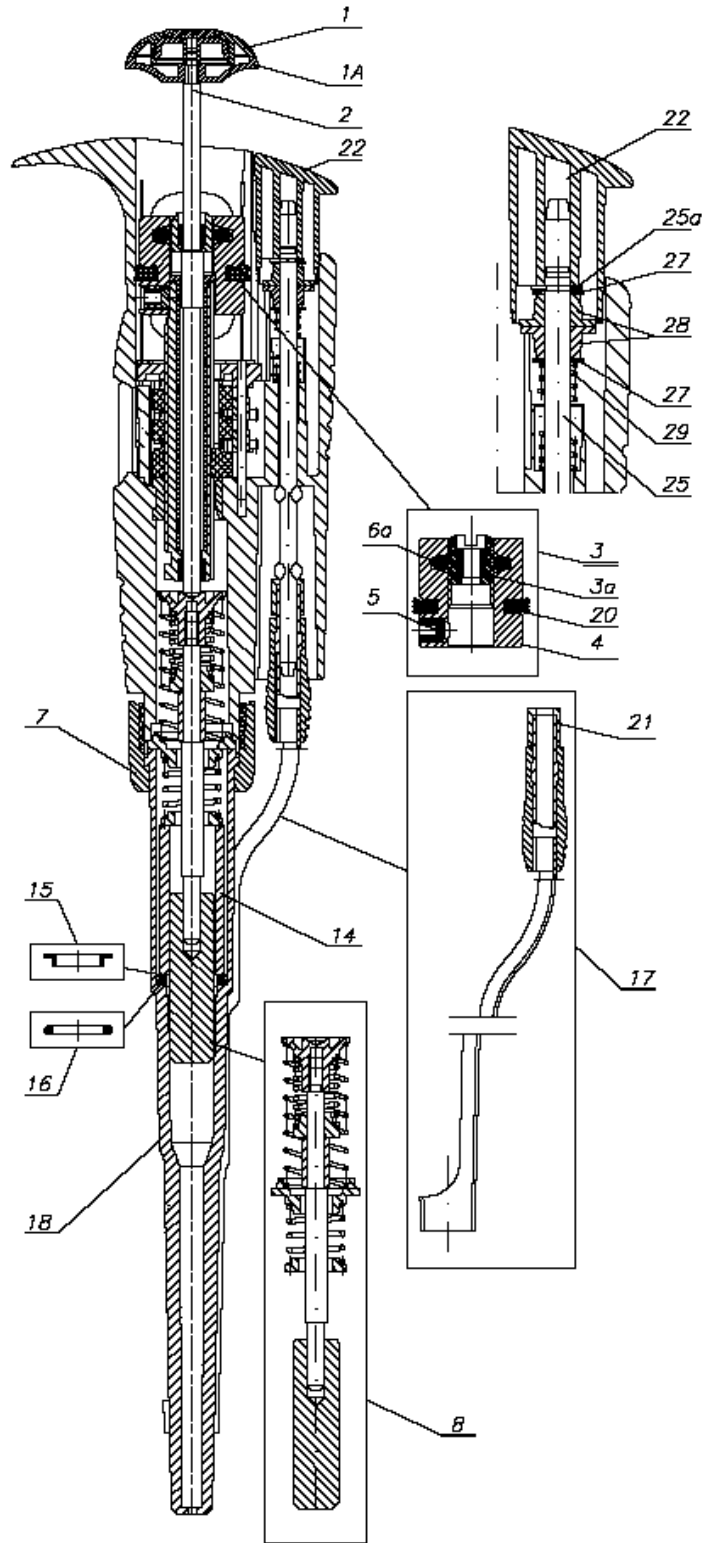


Fig.3 VWR VE1000

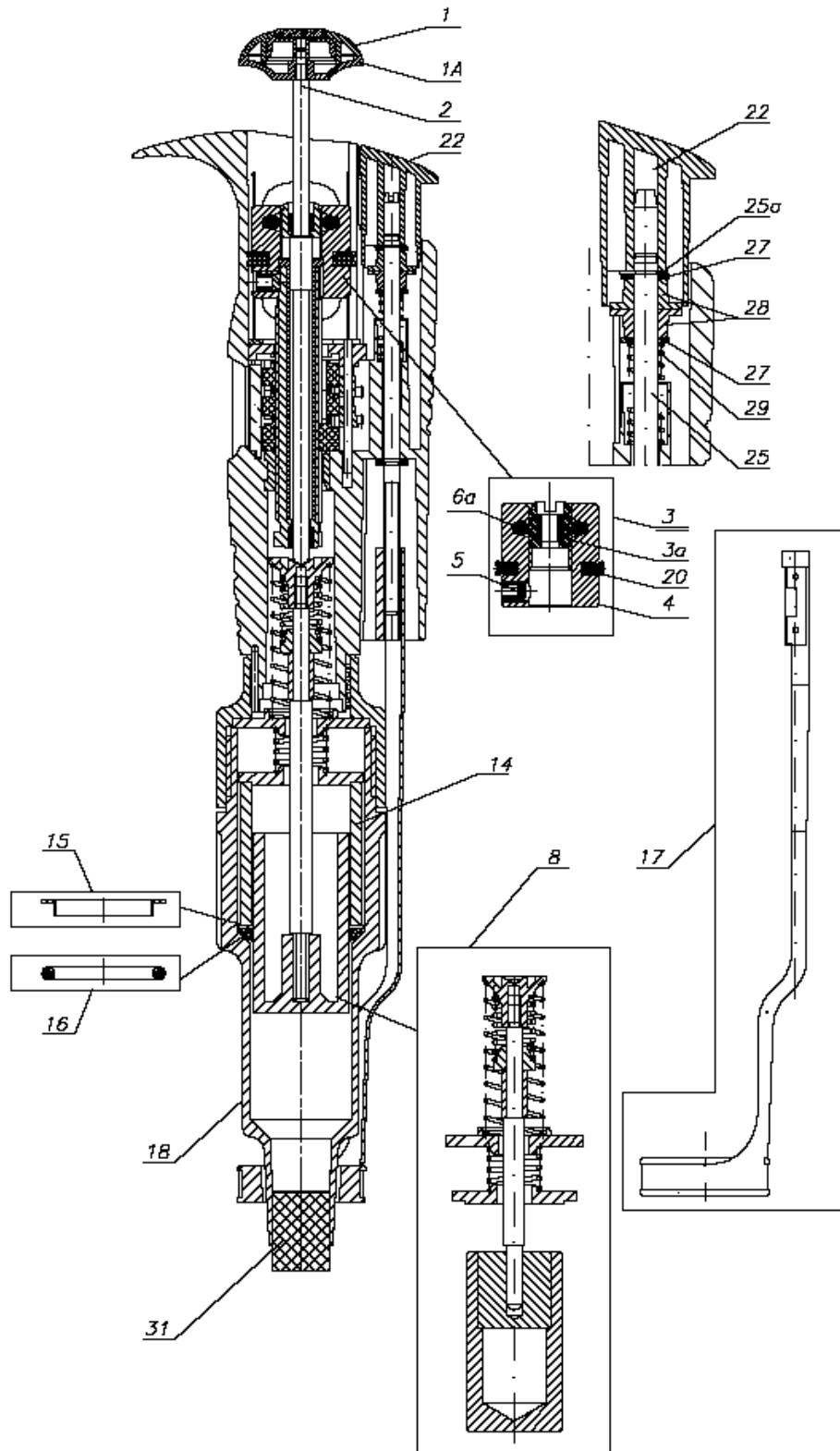


FIG.4 VWR VE5000

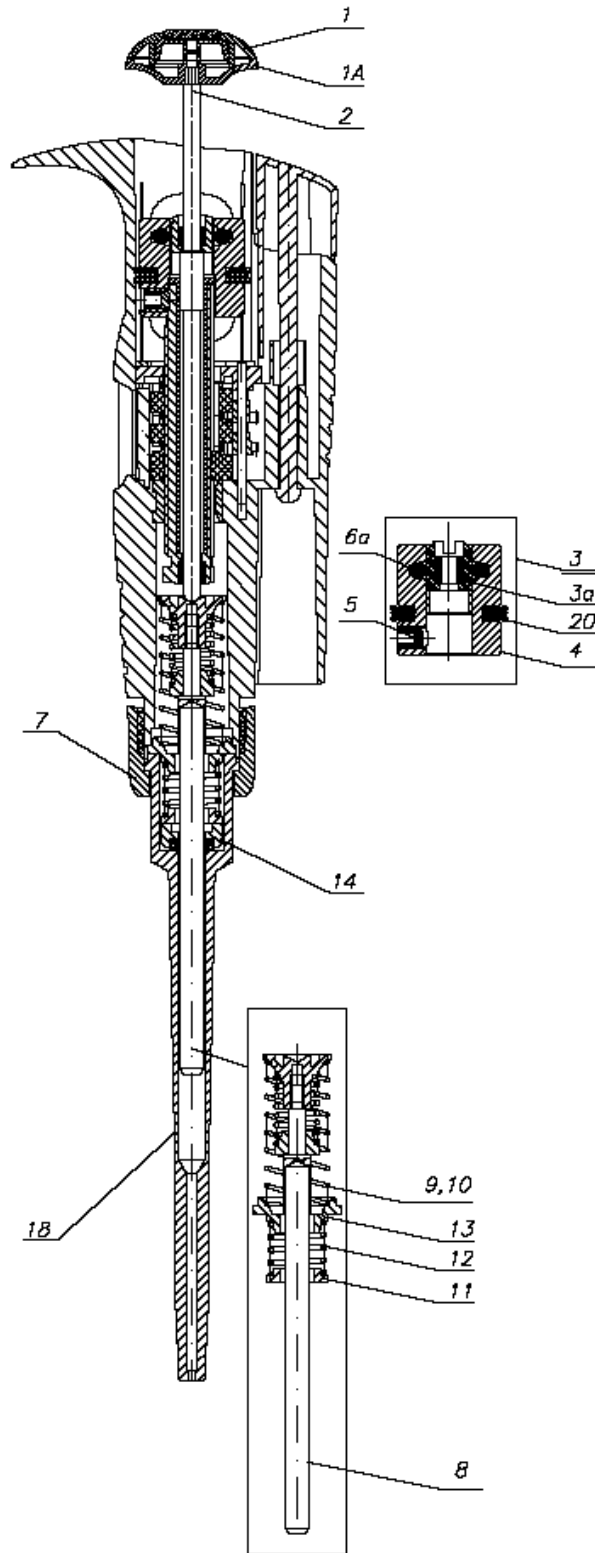
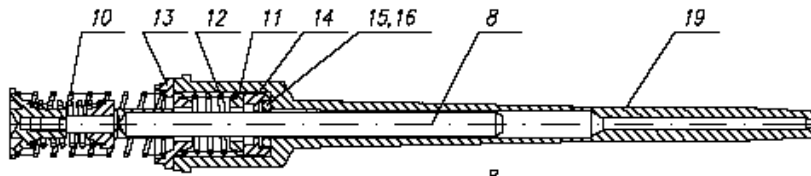
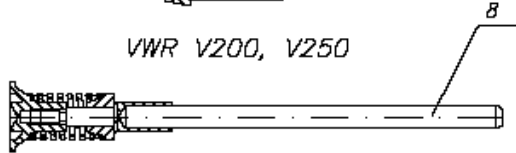


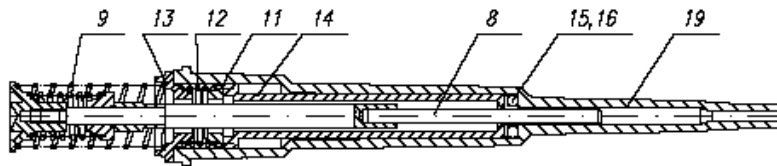
Fig.1 VWR V2 – VWR V250



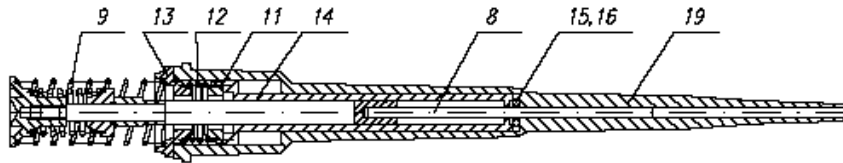
VWR V200, V250



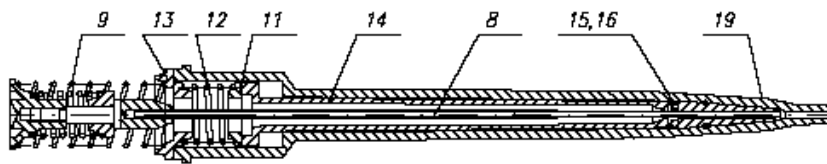
VWR V200, V250



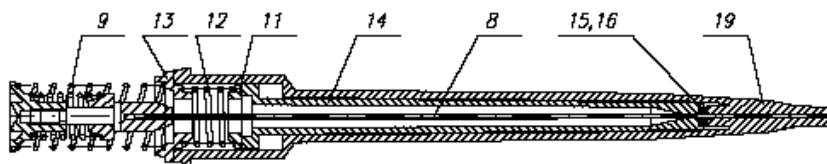
VWR V50, V100



VWR V20



VWR V10



VWR V2

Fig.2 VWR V2 – V250

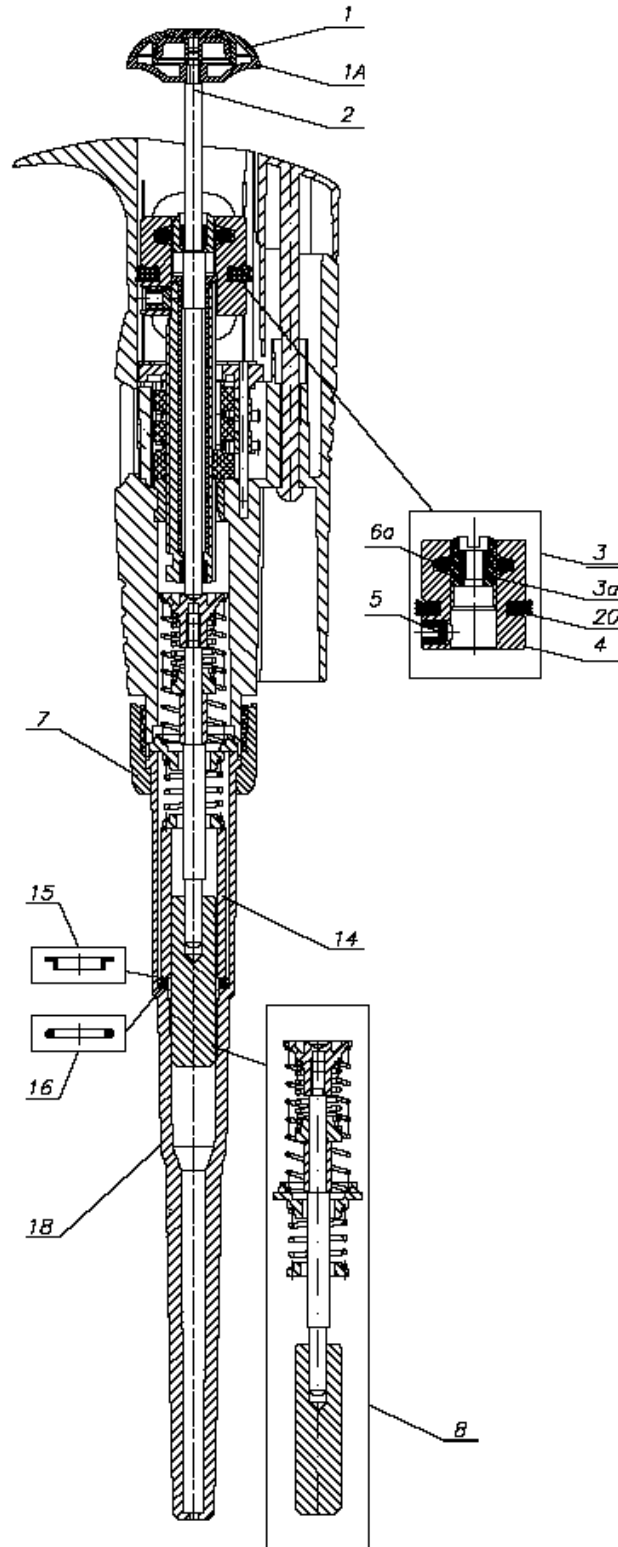


Fig.3 VWR V1000

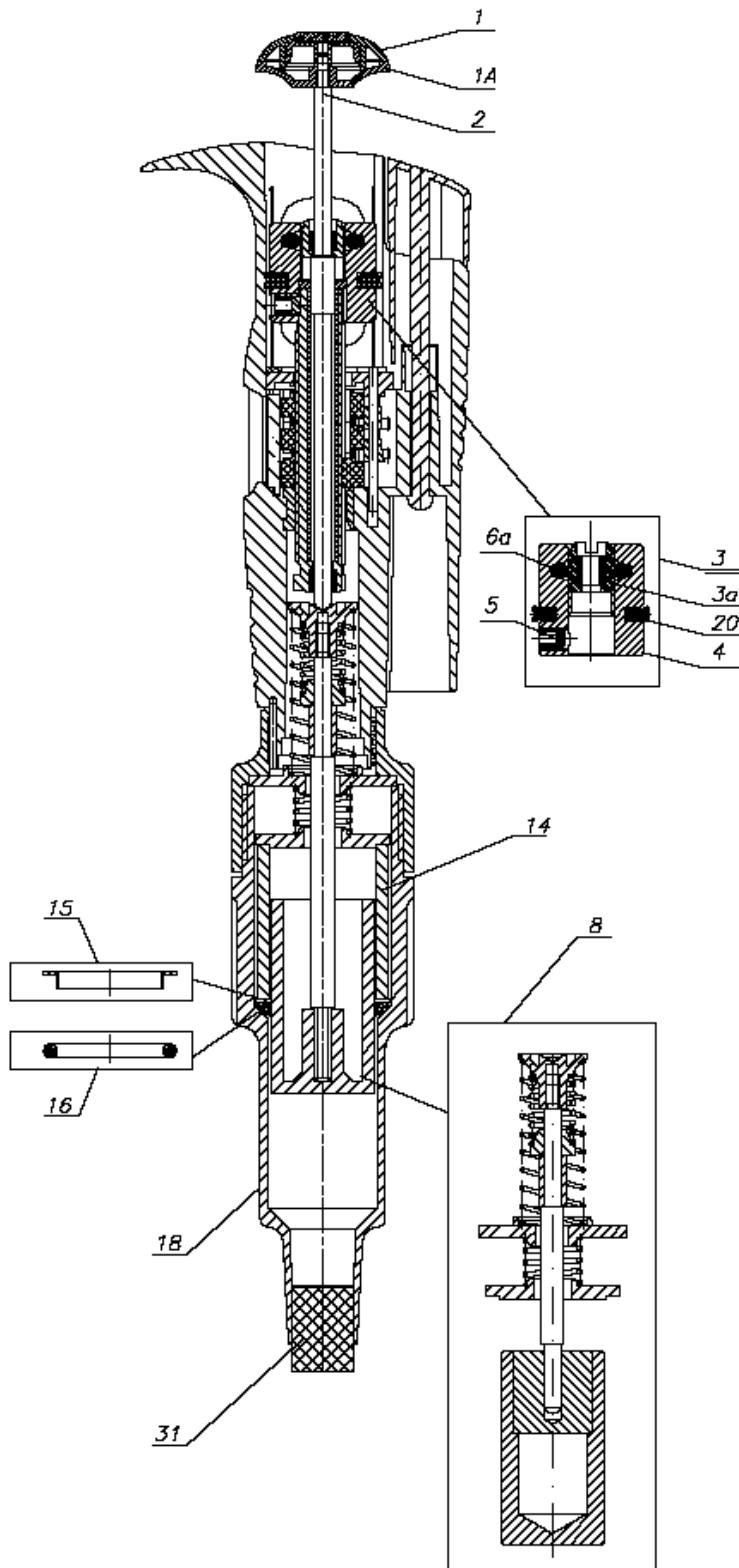


FIG.4 VWR V5000