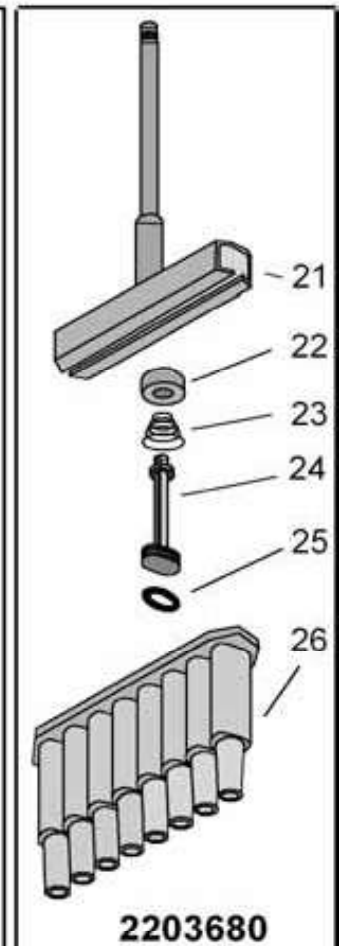
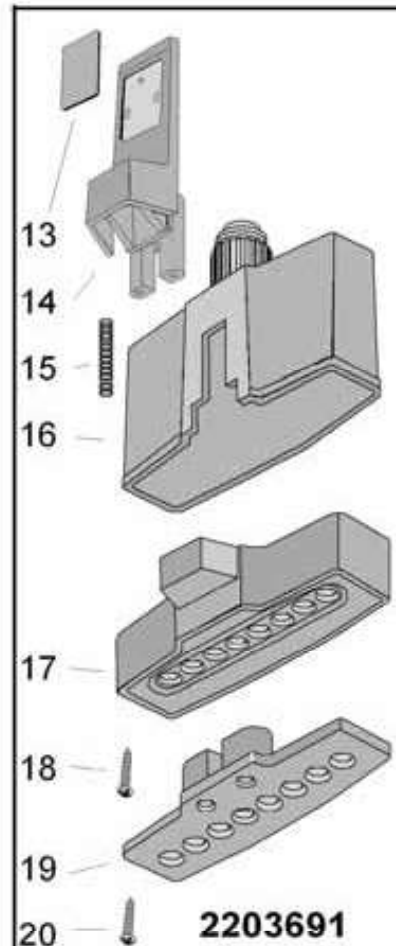
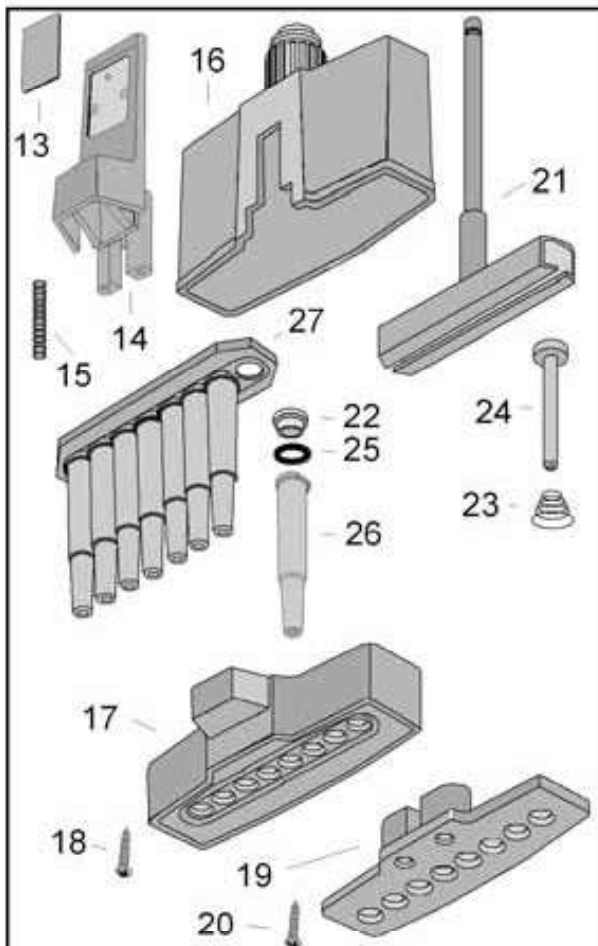
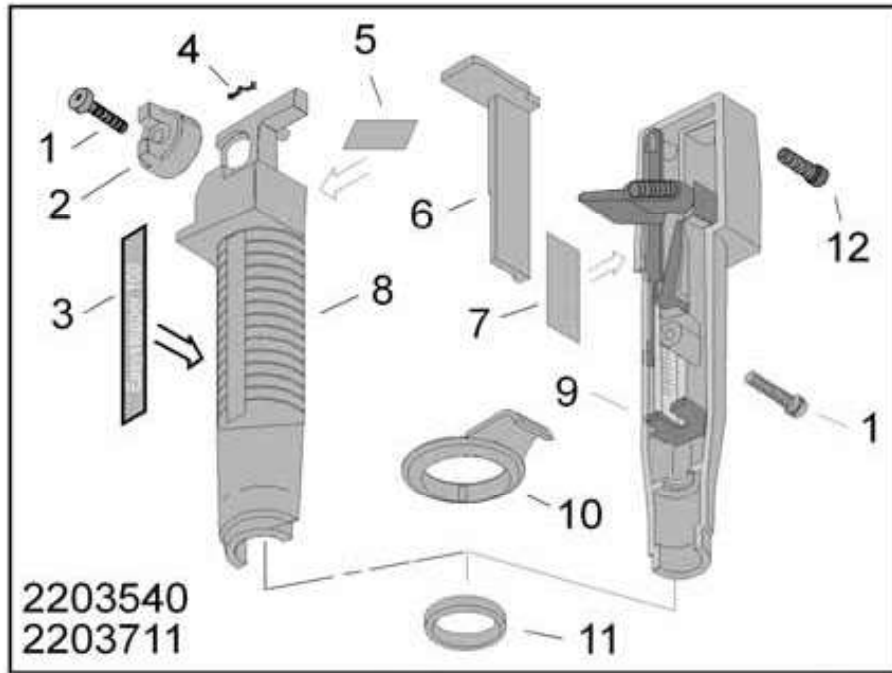


Finnpipette Multistepper



Body Assembly Multistepper
12.5 / 25 / 37.5 / 50 μ l

Finnpipette Multistep

Reference	Part name
4407950	Finnpipette Multistep 12.5 /25 /37.5 /50ul
2203540	Handle assy 50ul, Multistep
0212281	1. Screw M3 x 18 DIN 912 ZM
	2. Volume Selector
	3. Name Label
1131670	4. Snap spring, Multistep
	5. Storage Label
1053440	6. Loading lever, Multistep
	7. Volume Label
	8. Handle, front part
	9. Handle, rear part & mechanism
1058350	10. Grippy, Multistep
1057000	11. Locking ring, Multistep
0212181	12. Screw M3 x 10 DIN 912 ZM
	Body Assembly Multist. 12.5/25/37.5/50µl
	13. Label
1058550	14. Tip ejector, upper part
1130111	15. Tip ejector spring 0,5x4,7x31
1058540	16. Body upper part, Multistep
1055970	17. Body cover 50ul, Multistep
0202061	18. Screw RX PT 2-28x16 M DIN 1442
1056000	19. Tip ejector plate 50 ul, Multistep
0202021	20. Screw RX PT 2-28x 8 M DIN 1442
10590790	21. Piston Holder, Multistep
1056040	22. Collar MCP 300ul
1131630	23. Piston Spring 0,6x7,4x8
2204880	24. Pistons
1030260	25. O-ring 5x1,5 EPDM 70S
1056060	26. Tip cone 50 ul, Multistep
1056120	27. Tip Cone Holder 8-ch 300 ul
4407927	Finnpipette Multistep 50/100/150/200ul
2203711	Handle, Multistep
0212281	1. Screw M3 x 18 DIN 912 ZM
	2. Volume Selector
	3. Name Label
1131670	4. Snap spring, Multistep
	5. Storage Label
1053440	6. Loading lever, Multistep
	7. Volume Label
	8. Handle, front part
	9. Handle, rear part & mechanism
1058350	10. Grippy, Multistep
1057000	11. Locking ring, Multistep
0212181	12. Screw M3 x 10 DIN 912 ZM
2203691	Body assy 200ul, Multistep
	13. Label
1058550	14. Tip ejector, upper part
1130111	15. Tip ejector spring 0,5x4,7x31
1058540	16. Body upper part, Multistep
1055860	17. Body cover 200ul, Multistep
0202061	18. Screw RX PT 2-28x16 M DIN 1442
1055870	19. Tip ejector plate 200 ul, Multistep
0202021	20. Screw RX PT 2-28x 8 M DIN 1442
2203680	Cylinder-Piston assy 200ul Multistep
10590790	21. Piston Holder, Multistep
1030880	25. O-ring 6,75x1,78 EPDM 70S
2203090	(22-25) Piston assy 200ul, Multistep
1058580	26. Cylinder block, Multistep

Finnpipette Multistepper Module

Reference

Part name

Reference	Part name
2206590	Finnpipette Multistepper Module 50-250ul
10591680	Piston Holder MCP Stepper
1131780	Pullback Spring 0,4x4x21
10591661	Body Cover 1 MCP Stepper printed
10591690	Tip Ejector MCP Stepper
1132110	Spring 0,5x5,7x46
1051550	O-ring Cap
1033140	O-ring 4.6x1.6 EPDM
1033150	O-ring 4x1 EPDM
11070760	Piston Multistepper
10591710	Cylinder block, Multistepper
0202040	Screw PT 2,2x12 WN 1442
10591670	Body Cover 2 MCP Stepper
10591700	Tip ejector pusher, Multistepper

