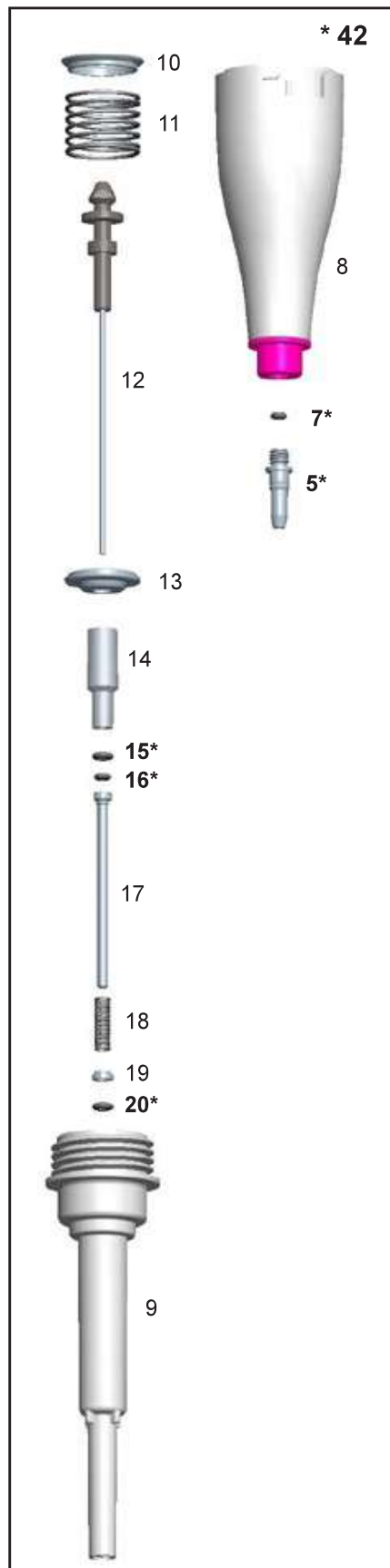


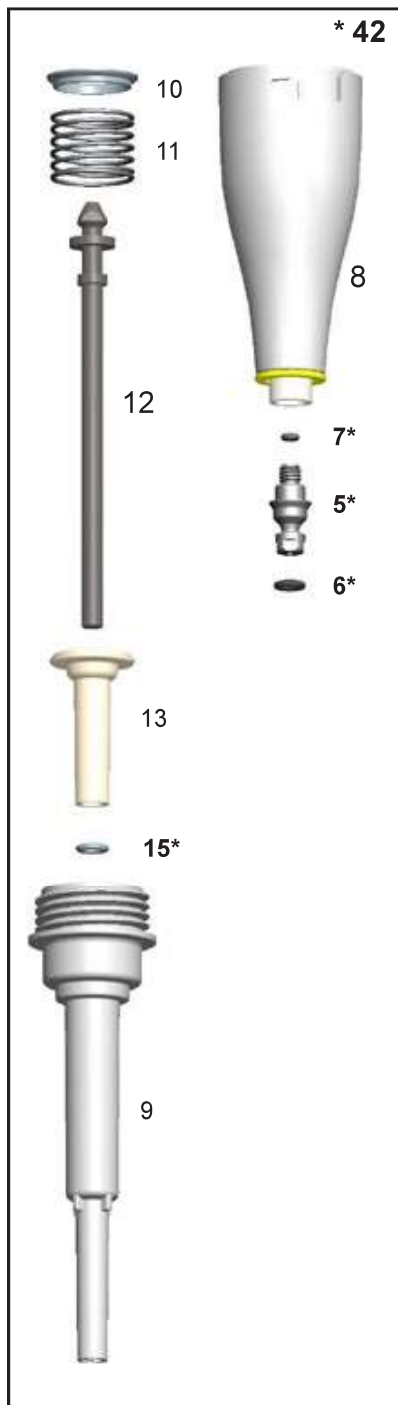
Single channel pipettes

*Available as spare part. See model specific order numbers.

0.5–12.5 µl



2–125 µl



0.5–12.5 µl

- 5. 1064960
- 7. 1030060
- 15. 1030380
- 16. 1030060
- 20. 1030170
- 42. 2215610

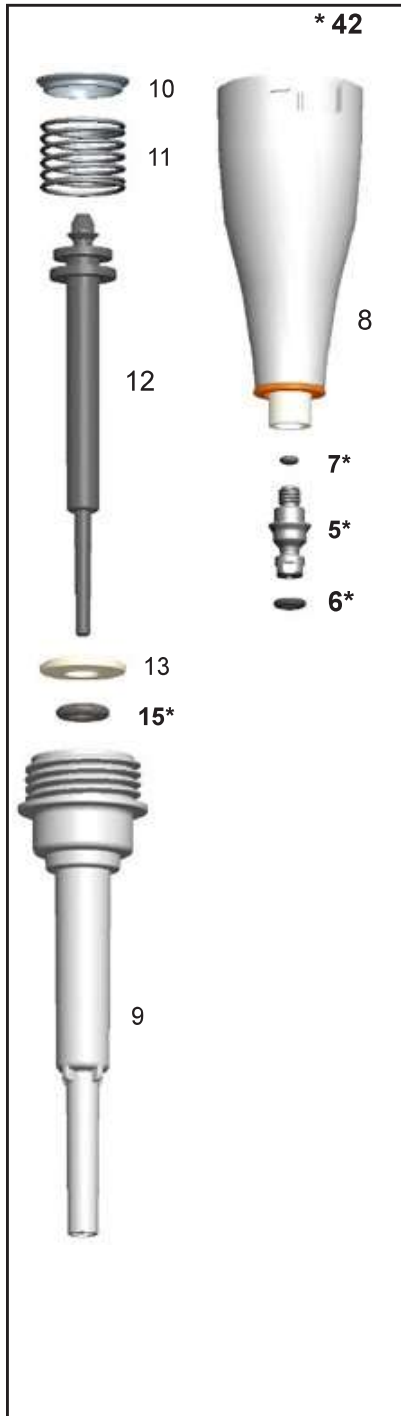
5–125 µl

- 5. 11072080
- 6. 2214930 **3 pcs**
- 7. 1030060
- 15. 1033380
- 42. 2215590

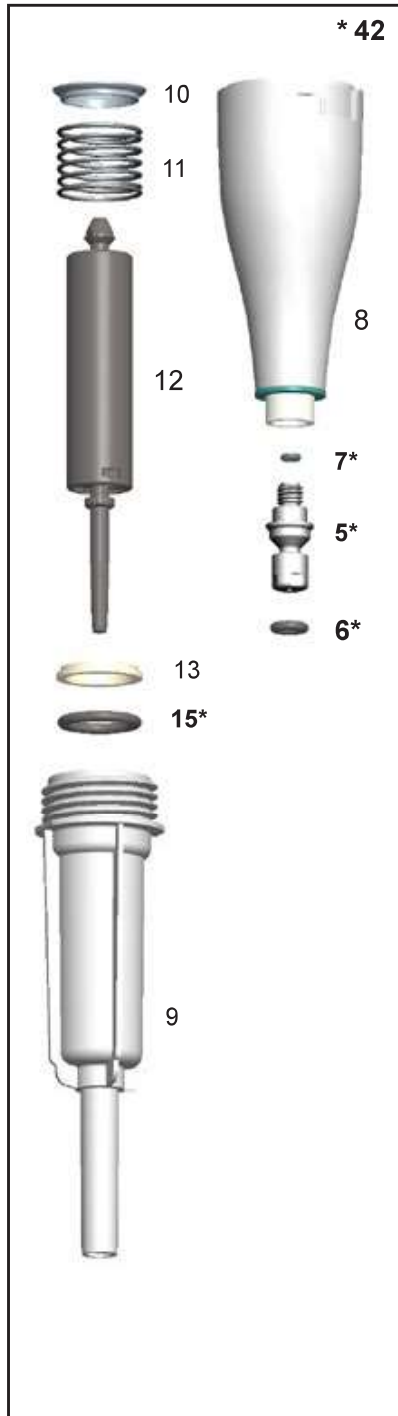


*** 42. Tip cone assembly**

10–300 µl



15–1250 µl



10–300 µl

- 5. 11072080
- 6. 2214930 3 pcs
- 7. 1030060
- 15. 1033180
- 42. 2215580

15–1250 µl

- 5. 11072200
- 6. 2215540 3 pcs
- 7. 1033410
- 15. 1033420
- 42. 2215570