

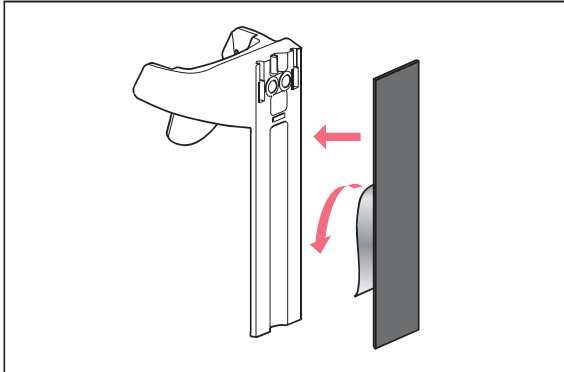
Instructions for use

Charger Shell 2 - Holder 2

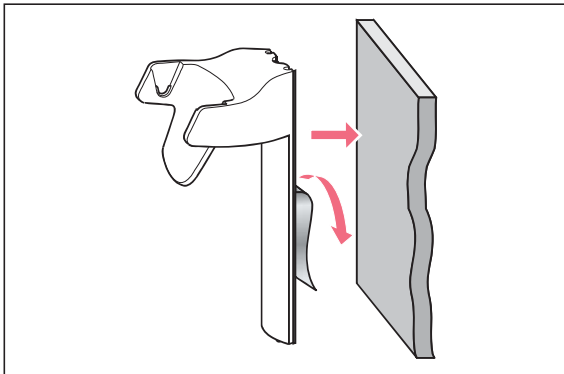
English (EN)

1 Installation

1.1 Attaching the charger shell or the holder to the wall



1. Clean smooth glass or ceramic surfaces (e.g., with ethanol) and allow them to dry.
2. Remove the protective film from one side of the adhesive tape.
3. Firmly press the adhesive tape onto the rear side of the charger shell or the holder.



4. Remove the protective film from the other side of the adhesive tape.
5. Firmly press the charger shell or the holder against the cleaned surface. The charger shell or the holder may only be placed under load after 24 hours.

1.2 Removing the charger shell or the holder from the wall

- ▶ Rotate the charger shell or the holder and remove the adhesive tape.

1.3 Inserting the charger shell or the holder into the carousel

The charger shell or the holder is inserted into the holder without adhesive tape.

2 Operation

2.1 Charging the electronic dispensing device

In case of wall mounting, the device is not charged via the holder. The dispensing device is charged using the appropriate mains/power supply device.

3 Maintenance

3.1 Cleaning the charger shell or the holder

- ▶ Use a damp cloth and mild cleaning agent to wipe off contamination.

Instructions for use

Charger Shell 2 - Holder 2

English (EN)

3.2 Materials

Wall mount	Material
Available surfaces	Acrylonitrile styrene acrylate with polycarbonate (ASA/PC)
Charging contacts	Nickel-plated coating

4 Ordering information

4.1 Charger shell

Order no. (International)	Order no. (North America)	Description
3116 602.007	3116602007	Charger Shell 2 for one Eppendorf Xplorer/Xplorer plus for Charger Carousel 2 (with charging functionality)
3116 603.003	3116603003	Charger Shell 2 for one electronic Eppendorf Multipette (Repeater) for Charger Carousel 2 (with charging functionality)

4.2 Holder

Order no. (International)	Order no. (North America)	Description
3116 000.112	3116000112	Holder 2 for one Eppendorf Research/plus, Reference/2 or Biomaster for Carousel 2, Charger Carousel 2 or wall mounting
3116 000.120	3116000120	Holder 2 for one Eppendorf Xplorer/Xplorer plus for Carousel 2, Charger Carousel 2 or wall mounting (without charging functionality)
3116 000.139	3116000139	Holder 2 for one electronic Eppendorf Multipette (Repeater) for Carousel 2, Charger Carousel 2 or wall mounting (without charging functionality)
3116 000.147	3116000147	Holder 2 for one Eppendorf Multipette (Repeater) M4 for Carousel 2, Charger Carousel 2 or wall mounting

Your local distributor: www.eppendorf.com/contact

Eppendorf AG · 22331 Hamburg · Germany

eppendorf@eppendorf.com · www.eppendorf.com